

CABLE GLANDS

SPARES & ACCESSORIES



Set of inner seals (under armour)

CODE	TYPE	Ø CABLE (mm)
C070700000014	SET OF INNER SEALS - C.G. SIZE 1	6-12
C070700000003	SET OF INNER SEALS - C.G. SIZE 2	6-17
C070700000005	SET OF INNER SEALS - C.G. SIZE 3	14-23
C070700000007	SET OF INNER SEALS - C.G. SIZE 5	23-36
C070700000009	SET OF INNER SEALS - C.G. SIZE 6	36-46
C070700000010	SET OF INNER SEALS - C.G. SIZE 7	44-60
C070700000012	SET OF INNER SEALS - C.G. SIZE 8	56-71



Set outer seals (external)

CODE	TYPE	Ø CABLE (mm)
C070700000002	SET OF OUTER SEALS - C.G. SIZE 1	8-17
C070700000004	SET OF OUTER SEALS - C.G. SIZE 2	14-23
C070700000006	SET OF OUTER SEALS - C.G. SIZE 3	20-29
C070700000008	SET OF OUTER SEALS - C.G. SIZE 5	29-42
C070700000015	SET OF OUTER SEALS - C.G. SIZE 6	44-56
C070700000011	SET OF OUTER SEALS - C.G. SIZE 7	55-67
C070700000013	SET OF OUTER SEALS - C.G. SIZE 8	63-77

Inner seals

CABLE GLAND SIZE	CODE	TYPE	Ø CABLE (mm)
SIZE 1	C07020000002	1A1 RUBBER SEAL	6 - 9
	C07020000003	1A2 RUBBER SEAL	9 - 12
SIZE 2	C07020000004	2A1 RUBBER SEAL	6 - 9
	C07020000005	2A2 RUBBER SEAL	9 - 12
	C07020000025	2A3 RUBBER SEAL	11 - 14
	C07020000006	2A4 RUBBER SEAL	14 - 17
SIZE 3	C07020000007	3A1 RUBBER SEAL	14 - 17
	C07020000008	3A2 RUBBER SEAL	17 - 20
SIZE 5/5S	C07020000010	5A2 RUBBER SEAL	23 - 26
	C07020000011	5A3 RUBBER SEAL	26 - 29
	C07020000012	5A4 RUBBER SEAL	29 - 32
	C07020000013	5A5 RUBBER SEAL	32 - 36
SIZE 6	C07020000014	6A2 RUBBER SEAL	36 - 39
	C07020000015	6A3 RUBBER SEAL	39 - 42
	C07020000016	6A4 RUBBER SEAL	42 - 46
SIZE 7	C07020000017	7A2 RUBBER SEAL	44 - 48
	C07020000018	7A3 RUBBER SEAL	48 - 52
	C07020000019	7A4 RUBBER SEAL	52 - 56
	C07020000020	7A5 RUBBER SEAL	56 - 60
SIZE 8	C07020000021	8A4 RUBBER SEAL	56 - 60
	C07020000022	8A5 RUBBER SEAL	59 - 63
	C07020000023	8A6 RUBBER SEAL	63 - 67
	C07020000024	8A7 RUBBER SEAL	67 - 71

Outer seals

CABLE GLAND SIZE	CODE	TYPE	Ø CABLE (mm)
SIZE 1	C07030000002	1B1 RUBBER SEAL	8 - 11
	C07030000003	1B2 RUBBER SEAL	11 - 14
	C07030000004	1B3 RUBBER SEAL	14 - 17
	C07030000005	2B1 RUBBER SEAL	14 - 17
SIZE 2	C07030000023	2B2 RUBBER SEAL	17 - 20
	C07030000006	2B3 RUBBER SEAL	20 - 23
	C07030000007	3B1 RUBBER SEAL	20 - 23
SIZE 3	C07030000008	3B2 RUBBER SEAL	23 - 26
	C07030000009	3B3 RUBBER SEAL	26 - 29
	C07030000010	5B2 RUBBER SEAL	29 - 32
SIZE 5/5S	C07030000011	5B3 RUBBER SEAL	32 - 36
	C07030000012	5B4 RUBBER SEAL	36 - 39
	C07030000013	5B5 RUBBER SEAL	39 - 42
SIZE 6	C07030000024	6B2 RUBBER SEAL	44 - 48
	C07030000014	6B3 RUBBER SEAL	48 - 52
	C07030000015	6B4 RUBBER SEAL	52 - 56
SIZE 7	C07030000016	7B2 RUBBER SEAL	55 - 59
	C07030000017	7B3 RUBBER SEAL	59 - 63
	C07030000018	7B4 RUBBER SEAL	63 - 67
SIZE 8	C07030000019	8B4 RUBBER SEAL	63 - 67
	C07030000020	8B5 RUBBER SEAL	65 - 69
	C07030000021	8B6 RUBBER SEAL	69 - 73
	C07030000022	8B7 RUBBER SEAL	73 - 77

SPARES & ACCESSORIES

Protective shroud EPDM-55

CODE	TYPE	CABLE GLAND SIZE
C070400050002	PGA-1 PVC SHROUD	SIZE 1
C070400050012	PGA-2 PVC SHROUD	SIZE 2
C070400050003	PGA-3 PVC SHROUD	SIZE 3
C070400050004	PGA-5 PVC SHROUD	SIZE 5/5S
C070400050005	PGA-6 PVC SHROUD	SIZE 6
C070400050006	PGA-7 PVC SHROUD	SIZE 7
C070400050007	PGA-8 PVC SHROUD	SIZE 8

Sealants for barrier type cable glands

CODE	TYPE
E012699000003	MANUAL APPLICATOR FOR 200ML CARTRIDGE, TYPE 2012/1
E012699000001	200ML CARTRIDGE WITH MIXING NOOZLE, TYPE 2012
E012699000002	PACKAGE OF N. 6 200ML CARTRIDGE WITH MIXING NOOZLE, TYPE 2012
E012699000004	MANUAL APPLICATOR FOR 310ML CARTRIDGE, TYPE 7091
E012699000005	SINGLE 310ML CARTRIDGE WITH NOOZLE, TYPE 7091

CODE	TYPE	THREAD
C070800040003	GK-16 - AMF GASKET	METRIC M16
C070800040005	GK-20 - AMF GASKET	METRIC M20
C070800040006	GK-25 - AMF GASKET	METRIC M25
C070800040009	GK-32 - AMF GASKET	METRIC M32
C070800040010	GK-40 - AMF GASKET	METRIC M40
C070800040013	GK-50 - AMF GASKET	METRIC M50
C070800040015	GK-63 - AMF GASKET	METRIC M63
C070800040017	GK-75 - AMF GASKET	METRIC M75
C070800040019	GK-80 - AMF GASKET	METRIC M80
C070800040001	GK-1 - AMF GASKET	INCHES 1/2"
C070800040004	GK-2 - AMF GASKET	INCHES 3/4"
C070800040007	GK-3 - AMF GASKET	INCHES 1"
C070800040012	GK-5 - AMF GASKET	INCHES 1" 1/4
C070800040011	GK-5 - AMF GASKET	INCHES 1" 1/2
C070800040014	GK-6 - AMF GASKET	INCHES 2"
C070800040016	GK-7 - AMF GASKET	INCHES 2" 1/2
C070800040018	GK-8 - AMF GASKET	INCHES 3"

CODE		TYPE	THREAD	
BRASS	AISI 316 L			
C070120110001	C070120120001	DL-1 - M20 LOCKNUT	M20X1,5	
C070125110001	C070125120001	DL-2 - M25 LOCKNUT	M25X1,5	
C070132110001	C070132120001	DL-3 - M32 LOCKNUT	M32X1,5	
C070140110001	C070140120001	DL-4 - M40 LOCKNUT	M40X1,5	
C070150110001	C070150120001	DL-5 - M50 LOCKNUT	M50X1,5	
C070163110001	C070163120001	DL-6 - M63 LOCKNUT	M63X1,5	
C070175110001	C070175120001	DL-7 - M70 LOCKNUT	M75X1,5	
C070180110001	C070180120001	DL-8 - M80 LOCKNUT	M80X1,5	

C0701A1210001	C0701A1220001	DL-1 - LOCKNUT	1/2"	NPT
C0701A2210001	C0701A2220001	DL-2 - LOCKNUT	3/4"	NPT
C0701A3210001	C0701A3220001	DL-3 - LOCKNUT	1"	NPT
C0701A4210001	C0701A4220001	DL-4 - LOCKNUT	1" 1/4	NPT
C0701A5210001	C0701A5220001	DL-5 - LOCKNUT	1" 1/2	NPT
C0701A6210001	C0701A6220001	DL-6 - LOCKNUT	2"	NPT
C0701A7210001	UPON REQUEST	DL-7 - LOCKNUT	2" 1/2	NPT
C0701A8210001	UPON REQUEST	DL-8 - LOCKNUT	3"	NPT

C0701A1310001	UPON REQUEST	DL-1 - LOCKNUT	1/2"	UNI-6125
C0701A2310001	UPON REQUEST	DL-2 - LOCKNUT	3/4"	UNI-6125
C0701A3310001	UPON REQUEST	DL-3 - LOCKNUT	1"	UNI-6125
C0701A4310001	UPON REQUEST	DL-4 - LOCKNUT	1" 1/4	UNI-6125
C0701A5310001	UPON REQUEST	DL-5 - LOCKNUT	1" 1/2	UNI-6125
UPON REQUEST	UPON REQUEST	DL-6 - LOCKNUT	2"	UNI-6125
UPON REQUEST	UPON REQUEST	DL-7 - LOCKNUT	2" 1/2	UNI-6125
UPON REQUEST	UPON REQUEST	DL-8 - LOCKNUT	3"	UNI-6125

CODE	TYPE	CABLE GLAND SIZE
C070500010001	PT-1 EARTHING RING	SIZE 1
C070500010002	PT-2 EARTHING RING	SIZE 2
C070500010003	PT-3 EARTHING RING	SIZE 3
C070500010004	PT-4 EARTHING RING	SIZE 4/5S
C070500010005	PT-5 EARTHING RING	SIZE 5
C070500010006	PT-6 EARTHING RING	SIZE 6
C070500010007	PT-7 EARTHING RING	SIZE 7
C070500010008	PT-8 EARTHING RING	SIZE 8

CODE	TYPE	THREAD SIZE
C070600020003	STAR WASHER Ø22	M20
C070600020001	STAR WASHER Ø27	M25
C070600020004	STAR WASHER Ø33	M32
C070600020005	STAR WASHER Ø42	M40
C070600020006	STAR WASHER Ø52	M50
C070600020007	STAR WASHER Ø63	M65
C070600020008	STAR WASHER Ø77	M75

METALLIC CABLE GLANDS

Single seal



A large range of single seal cable glands

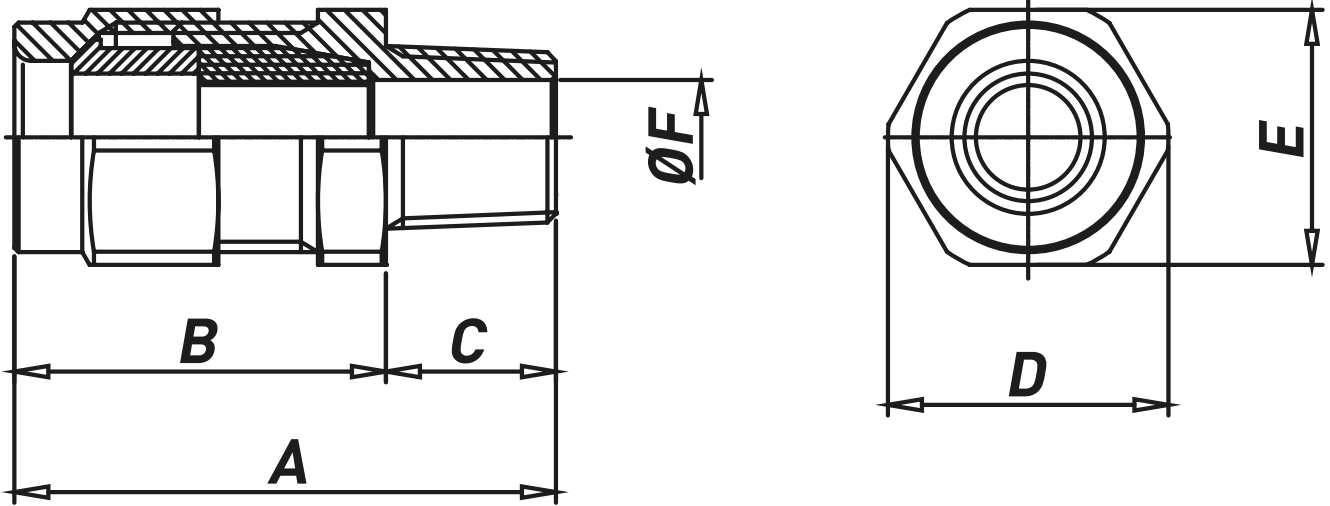
- Armoured & unarmoured cable
- Lead sheathed cable
- Barrier type

Suitable for Zone 1/2 and Zone 21/22.

TECHNICAL FEATURES

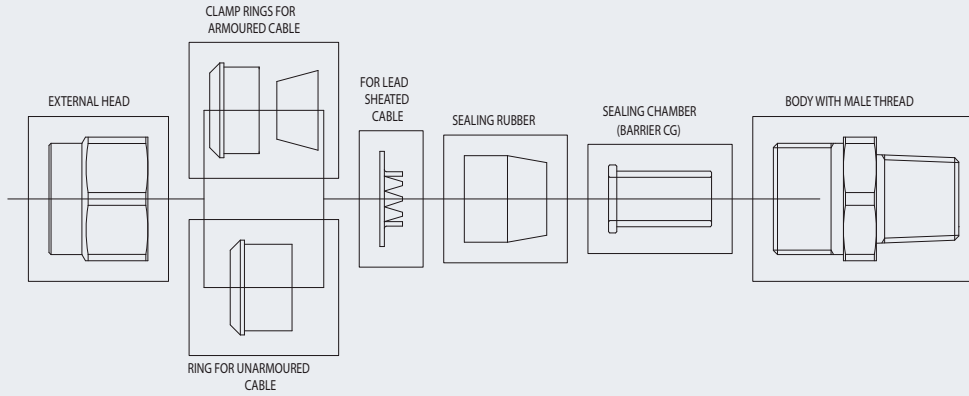
Material	Nickel chrome plated brass AISI 316 L Stainless steel (other materials upon request)
IP rating	IP66
Operating temperature range	-52°C to +110°C
Approvals	ATEX: 02ATEX0084 IECEX INE 14.0046X EAC: RU C-IT.BH02.B.00596/20
Marking*	II 2 GD Ex db/eb IIC Ex db/eb I Ex tb IIIC IP66 I M2 Ex db/eb I * For group I certification is up to size 6.
Internal seals	EPDM
Threads	Metric, NPT, UNI-6125 (other thread upon request)
Optional accessories	Locknut, sealing gasket, earthing ring, star washer, protective shroud
Note	1. Armouring rings are usually supplied made of nickel chrome plated brass. Other materials are available upon request. 2. Our standard cable gland are suitable for armour clamping up to 1,25 mm thickness. In case of higher armour thickness please revert to our Sales department.

Dimensions



	METRIC	NPT UNI-6125	SEAL	CABLE RANGE (mm)	Ø EXTERNAL CABLE (mm)	DIMENSIONS (mm)				
						F	A	B	C	D
SIZE 1	M20X1,5	1/2"	1A1	6 - 9	18	62	42	20	33	30
			1A2	9 - 12						
SIZE 2	M25X1,5	3/4"	2A1	6 - 9	24	62	42	25	40	36
			2A2	9 - 12						
			2A3	11 - 14						
			2A4	14 - 17						
SIZE 3	M32X1,5	1"	3A1	14 - 17	30	70	45	25	49	44
			3A2	17 - 20						
			3A3	20 - 23						
SIZE 5S	M40X1,5	1" 1/4	5A2	23 - 26	43	70	45	25	62	56
			5A3	26 - 29						
			5A4	29 - 32						
			5A5	32 - 36						
SIZE 5	M50X1,5	1" 1/2	5A2	23 - 26	43	70	45	25	62	56
			5A3	26 - 29						
			5A4	29 - 32						
			5A5	32 - 36						
SIZE 6	M63X1,5	2"	6A2	36 - 39	57	72	46	25	78	70
			6A3	39 - 42						
			6A4	42 - 46						
SIZE 7	M75X1,5	2" 1/2	7A2	44 - 48	69	78	46	32	92	83
			7A3	48 - 52						
			7A4	52 - 56						
			7A5	56 - 60						
SIZE 8	M80X1,5	3"	8A4	56 - 60	79	78	46	32	103	93
			8A5	59 - 63						
			8A6	63 - 67						
			8A7	67 - 71						

Assembly diagram



CODIFICATION TABLE

B14	#	#	#	#	#	#	#	N
								N - WITHOUT SEAL S - WITH SET SEALS 1 - SEALING RUBBER A1 2 - SEALING RUBBER A2 3 - SEALING RUBBER A3 4 - SEALING RUBBER A4 5 - SEALING RUBBER A5 6 - SEALING RUBBER A6 7 - SEALING RUBBER A7
							SEALS	1 - ATEX/IECEX - GROUP II 2 - ATEX/IECEX- GROUP I 5 - TR CU - GROUP II 6 - TR CU - GROUP I
							CERTIFICATE	1 - METRIC 2 - NPT 3 - UNI-6125
							THREAD	0 - STANDARD 1 - EXTENDED BODY (IN CASE OF ARMOUR THICKNESS HIGHER THAN 1,25MM)
							ARMOUR THK	1 - SIZE 1 2 - SIZE 2 3 - SIZE 3 4 - SIZE 5S 5 - SIZE 5 6 - SIZE 6 7 - SIZE 7 8 - SIZE 8
							SIZE	02 - PNA _ SINGLE SEAL, ARMoured CABLE 04 - PB AX _ SINGLE SEAL, ARMoured CABLE, BARRIER TYPE 12 - PBS _ SINGLE SEAL, UNARMoured CABLE, LEAD SHEATED CABLE 14 - PSB _ SINGLE SEAL, ARMoured CABLE, LEAD SHEATED CABLE 16 - PNS _ SINGLE SEAL, UNARMoured CABLE 17 - PMS _ SINGLE SEAL, UNARMoured CABLE, BARRIER TYPE
							TYPE	01 - BNK BRASS NICKEL CHROME PLATED 03 - STAINLESS STEEL AISI316
							MATERIAL	

METALLIC CABLE GLANDS

Double seal



A large range of double seal cable glands

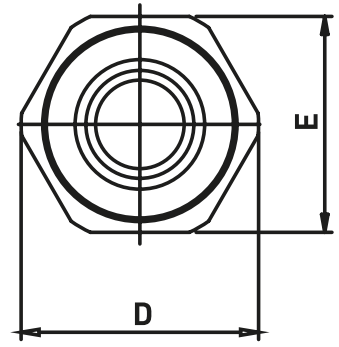
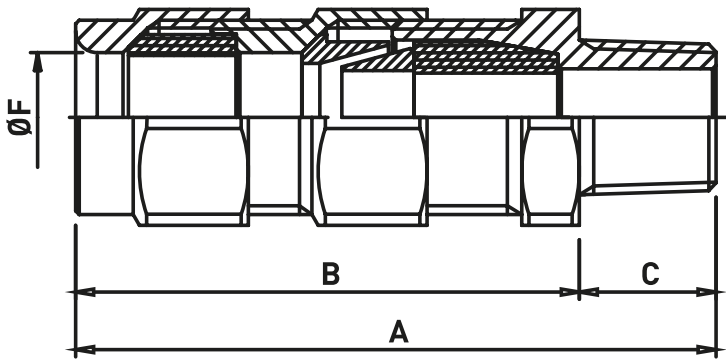
- Armoured & unarmoured cable
- Lead sheathed cable
- Barrier type

Suitable for Zone 1/2 and Zone 21/22.

TECHNICAL FEATURES

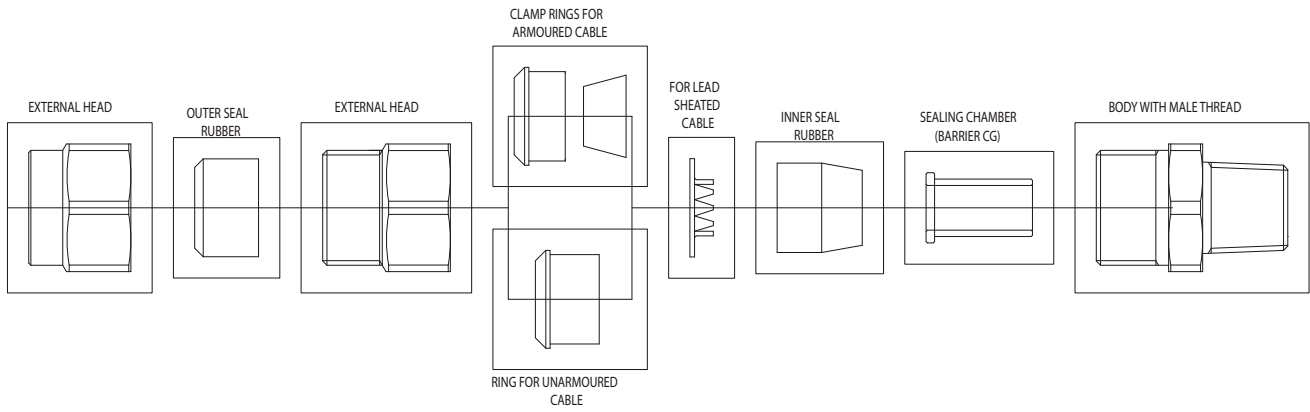
Material	Nickel chrome plated brass AISI 316 L Stainless steel (other materials upon request)
IP rating	IP66
Operating temperature range	-52°C to +110°C
Approvals	ATEX: 02ATEX0084 IECEX INE 14.0046X EAC: RU C-IT.BH02.B.00596/20
Marking*	II 2 GD Ex db/eb IIC Ex db/eb I Ex tb IIIC IP66 I M2 Ex db/eb I * For group I certification is up to size 6.
Internal seals	EPDM
Threads	Metric, NPT, UNI-6125 (other thread upon request)
Optional accessories	Locknut, sealing gasket, earthing ring, star washer, protective shroud
Note	1. Armouring rings are usually supplied made of nickel chrome plated brass. Other materials are available upon request. 2. Our standard cable gland are suitable for armour clamping up to 1,25mm thickness. In case of higher armour thickness please revert to our Sales department.

Dimensions



	METRIC	NPT UNI-6125	INNER SEAL	CABLE RANGE (mm)	OUTER SEAL	CABLE RANGE (mm)	Ø EXTERNAL CABLE (mm)	EXTDIMENSIONS (mm)				
							F	A	B	C	D	E
SIZE 1	M20X1,5	1/2"	1A1	6 - 9	1B1	8 - 11	18	85	65	20	33	30
			1A2	9 - 12	1B2	11 - 14						
					1B3	14 - 17						
SIZE 2	M25X1,5	3/4"	2A1	6 - 9	2B1	14 - 17	24	85	65	20	40	36
			2A2	9 - 12	2B2	17 - 20						
			2A3	11 - 14	2B3	20 - 23						
			2A4	14 - 17								
SIZE 3	M32X1,5	1"	3A1	14 - 17	3B1	20 - 23	30	93	68	25	49	44
			3A2	17 - 20	3B2	23 - 26						
			3A3	20 - 23	3B3	26 - 29						
SIZE 5S	M40X1,5	1" 1/4	5A2	23 - 26	5B2	29 - 32	43	93	68	25	62	56
			5A3	26 - 29	5B3	32 - 36						
			5A4	29 - 32	5B4	36 - 39						
			5A5	32 - 36	5B5	39 - 42						
SIZE 5	M50X1,5	1" 1/2	5A2	23 - 26	5B2	29 - 32	43	93	68	25	62	56
			5A3	26 - 29	5B3	32 - 36						
			5A4	29 - 32	5B4	36 - 39						
			5A5	32 - 36	5B5	39 - 42						
SIZE 6	M63X1,5	2"	6A2	36 - 39	6B2	44 - 48	57	95	71	25	78	70
			6A3	39 - 42	6B3	48 - 52						
			6A4	42 - 46	6B4	52 - 56						
SIZE 7	M75X1,5	2" 1/2	7A2	44 - 48	7B2	55 - 59	69	100	71	32	92	83
			7A3	48 - 52	7B3	59 - 63						
			7A4	52 - 56	7B4	63 - 67						
			7A5	56 - 60								
SIZE 8	M80X1,5	3"	8A4	56 - 60	8B4	63 - 67	79	100	71	32	103	93
			8A5	59 - 63	8B5	67 - 69						
			8A6	63 - 67	8B6	69 - 73						
			8A7	67 - 71	8B7	73 - 77						

Assembly diagram



B14	#	#	#	#	#	#	#	#	#
									N - WITHOUT SEAL S - WITH SET SEALS 1 - OUTER SEAL RUBBER B1 2 - OUTER SEAL RUBBER B2 3 - OUTER SEAL RUBBER B3 4 - OUTER SEAL RUBBER B4 5 - OUTER SEAL RUBBER B5 6 - OUTER SEAL RUBBER B6 7 - OUTER SEAL RUBBER B7
									N - WITHOUT SEAL S - WITH SET SEALS 1 - INNER SEAL RUBBER A1 2 - INNER SEAL RUBBER A2 3 - INNER SEAL RUBBER A3 4 - INNER SEAL RUBBER A4 5 - INNER SEAL RUBBER A5 6 - INNER SEAL RUBBER A6 7 - INNER SEAL RUBBER A7
									1 - ATEX/IECEX - GROUP II 2 - ATEX/IECEX- GROUP I 5 - TR CU - GROUP II 6 - TR CU - GROUP I
									1 - METRIC 2 - NPT 3 - UNI-6125
									0 - STANDARD 1 - EXTENDED BODY (IN CASE OF ARMOUR THICKNESS HIGHER THAN 1,25mm)
									1 - SIZE 1 2 - SIZE 2 3 - SIZE 3 4 - SIZE 5S 5 - SIZE 5 6 - SIZE 6 7 - SIZE 7 8 - SIZE 8
									01 - PAP _ DOUBLE SEAL, ARMoured CABLE 03 - PAB AX _ DOUBLE SEAL, ARMoured CABLE, BARRIER TYPE 11 - PBD _ DOUBLE SEAL, UNARMoured CABLE, LEAD SHEET 13 - PDB _ DOUBLE SEAL, ARMoured CABLE, LEAD SHEET 15 - PND _ DOUBLE SEAL, UNARMoured CABLE 18 - PMD _ DOUBLE SEAL, UNARMoured CABLE, BARRIER TYPE
									01 - BNK BRASS NICKEL CHROME PLATED 03 - STAINLESS STEEL AISI316

METALLIC CABLE GLANDS

PSM (Male-Male)

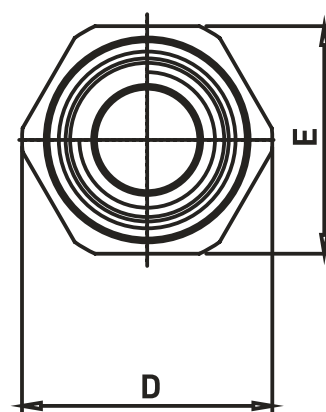
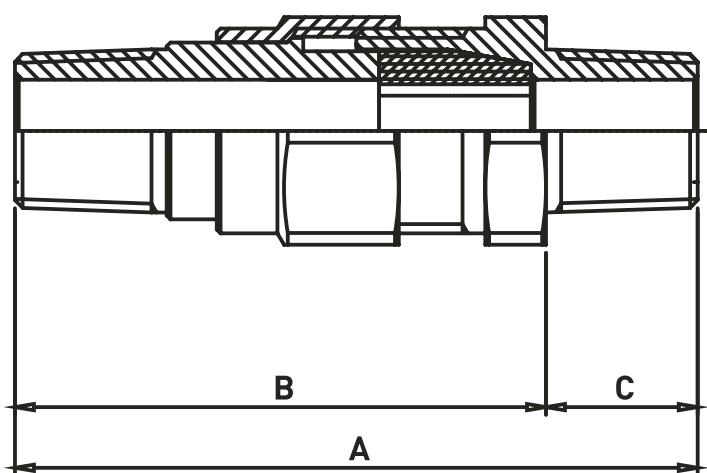


Single seal through "male-male" cable gland suitable for unarmoured cables.
Suitable for Zone 1/2 and Zone 21/22.

TECHNICAL FEATURES

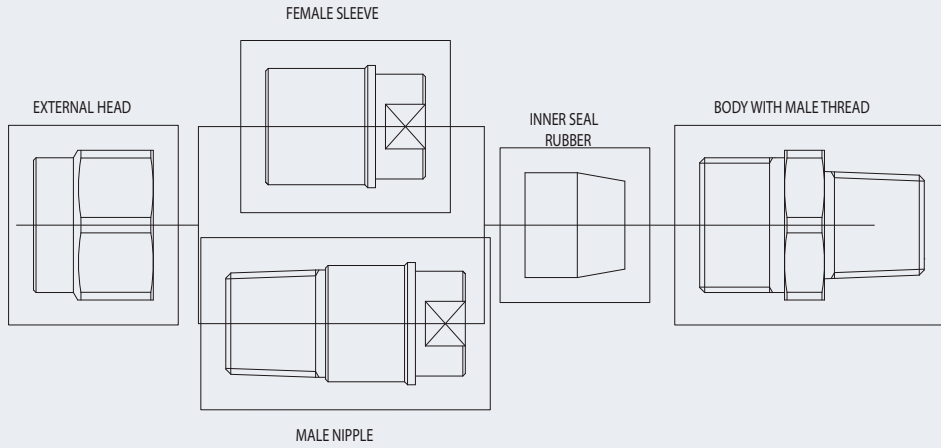
Material	Nickel chrome plated brass AISI 316 L Stainless steel (other materials upon request)
IP rating	IP66
Operating temperature range	-52°C to +110°C
Approvals	ATEX: 02ATEX0084 IECEX INE 14.0046X EAC: RU C-IT.BH02.B.00596/20
Marking*	II 2 GD Ex db/eb IIC Ex db/eb I Ex tb IIIC IP66 I M2 Ex db/eb I * For group I certification is up to size 6.
Internal seals	EPDM
Threads	Metric, NPT, UNI-6125 (other thread upon request)
Optional accessories	Locknut, sealing gasket, earthing ring, star washer, protective shroud
Note	The Free Nipple thread can be provided Metric, NPT or UNI-6125

Dimensions



	METRIC	NPT UNI- 6125	SEAL	CABLE RANGE (mm)	Ø EXTERNAL CABLE (mm)	EXTDIMENSIONS (mm)				
						F	A	B	C	D
SIZE 1	M20X1,5	1/2"	1A1	6 - 9	18	90	70	20	33	30
			1A2	9 - 12						
SIZE 2	M25X1,5	3/4"	2A1	6 - 9	24	90	70	20	40	36
			2A2	9 - 12						
			2A3	11 - 14						
			2A4	14 - 17						
SIZE 3	M32X1,5	1"	3A1	14 - 17	30	104	79	25	49	44
			3A2	17 - 20						
			3A3	20 - 23						
SIZE 5S	M40X1,5	1" 1/4	5A2	23 - 26	43	104	79	25	65	58
			5A3	26 - 29						
			5A4	29 - 32						
			5A5	32 - 36						
SIZE 5	M50X1,5	1" 1/2	5A2	23 - 26	43	104	79	25	65	58
			5A3	26 - 29						
			5A4	29 - 32						
			5A5	32 - 36						
SIZE 6	M63X1,5	2"	6A2	36 - 39	57	109	84	25	65	58
			6A3	39 - 42						
			6A4	42 - 46						
SIZE 7	M75X1,5	2" 1/2	7A2	44 - 48	-	-	-	-	-	-
			7A3	48 - 52						
			7A4	52 - 56						
			7A5	56 - 60						
SIZE 8	M80X1,5	3"	8A4	56 - 60	-	-	-	-	-	-
			8A5	59 - 63						
			8A6	63 - 67						
			8A7	67 - 71						

Assembly diagram



CODIFICATION TABLE

B14	#	#	#	0	#	#	#	N
								SEALS
								N - WITHOUT SEAL S - WITH SET SEALS 1 - INNER RUBBER SEAL A1 2 - INNER RUBBER SEAL A2 3 - INNER RUBBER SEAL A3 4 - INNER RUBBER SEAL A4 5 - INNER RUBBER SEAL A5 6 - INNER RUBBER SEAL A6 7 - INNER RUBBER SEAL A7
								CERTIFICATE
								1 - ATEX/IECEX - GROUP II 2 - ATEX/IECEX- GROUP I 5 - TR CU - GROUP II 6 - TR CU - GROUP I
								THREAD
								1 - METRIC 2 - NPT 3 - UNI-6125
								SIZE
								1 - SIZE 1 2 - SIZE 2 3 - SIZE 3 4 - SIZE 4 5 - SIZE 5S 6 - SIZE 6 7 - SIZE 7 8 - SIZE 8
								TYPE
								08 - PSM FREE NIPPLE METRIC 09 - PSM FREE NIPPLE NPT 22 - PSM AX FREE NIPPLE METRIC _ BARRIER TYPE 23 - PSM AX FREE NIPPLE NPT _ BARRIER TYPE
								MATERIAL
								01 - BNK BRASS NICKEL CHROME PLATED 03 - STAINLESS STEEL AISI316

METALLIC CABLE GLANDS

PSF (Male-Female)

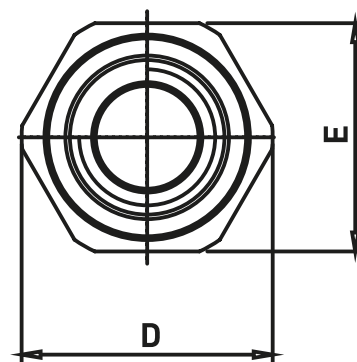
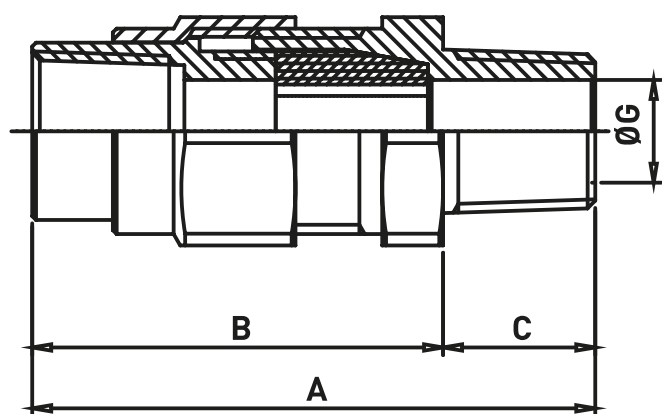


Single seal through "male-female" cable gland suitable for unarmoured cables.
Suitable for Zone 1/2 and Zone 21/22.

TECHNICAL FEATURES

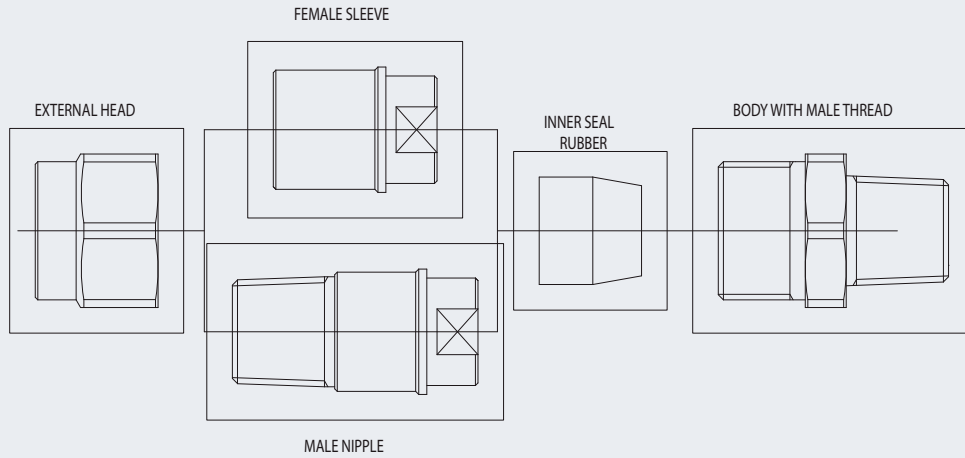
Material	Nickel chrome plated brass AISI 316 L Stainless steel (other materials upon request)
IP rating	IP66
Operating temperature range	-52°C to +110°C
Approvals	ATEX: 02ATEX0084 IECEX INE 14.0046X EAC: RU C-IT.BH02.B.00596/20
Marking*	II 2 GD Ex db/eb IIC Ex db/eb I Ex tb IIIC IP66 I M2 Ex db/eb I * For group I certification is up to size 6.
Internal seals	EPDM
Threads	Metric, NPT, UNI-6125 (other thread upon request)
Optional accessories	Locknut, sealing gasket, earthing ring, star washer, protective shroud
Note	The Free Coupling thread can be provided Metric, NPT or UNI-6125

Dimensions



	METRIC	NPT UNI-6125	SEAL	CABLE RANGE (mm)	Ø EXTERNAL CABLE (mm)	EXTDIMENSIONS (mm)				
						G	A	B	C	D
SIZE 1	M20X1,5	1/2"	1A1	6 - 9	18	73	53	20	33	30
			1A2	9 - 12						
SIZE 2	M25X1,5	3/4"	2A1	6 - 9	24	73	53	20	40	36
			2A2	9 - 12						
			2A3	11 - 14						
			2A4	14 - 17						
SIZE 3	M32X1,5	1"	3A1	14 - 17	30	88	63	25	49	44
			3A2	17 - 20						
			3A3	20 - 23						
SIZE 5S	M40X1,5	1" 1/4	5A2	23 - 26	43	89	64	25	65	58
			5A3	26 - 29						
			5A4	29 - 32						
			5A5	32 - 36						
SIZE 5	M50X1,5	1" 1/2	5A2	23 - 26	43	89	64	25	65	58
			5A3	26 - 29						
			5A4	29 - 32						
			5A5	32 - 36						
SIZE 6	M63X1,5	2"	6A2	36 - 39	57	92	67	25	65	58
			6A3	39 - 42						
			6A4	42 - 46						
SIZE 7	M75X1,5	2" 1/2	7A2	44 - 48	-	-	-	-	-	-
			7A3	48 - 52						
			7A4	52 - 56						
			7A5	56 - 60						
SIZE 8	M80X1,5	3"	8A4	56 - 60	-	-	-	-	-	-
			8A5	59 - 63						
			8A6	63 - 67						
			8A7	67 - 71						

Assembly diagram



CODIFICATION TABLE

B14	#	#	#	0	#	#	#	N
								SEALS
								N - WITHOUT SEAL S - WITH SET SEALS 1 - INNER RUBBER SEAL A1 2 - INNER RUBBER SEAL A2 3 - INNER RUBBER SEAL A3 4 - INNER RUBBER SEAL A4 5 - INNER RUBBER SEAL A5 6 - INNER RUBBER SEAL A6 7 - INNER RUBBER SEAL A7
								CERTIFICATE
								1 - ATEX/IECEX - GROUP II 2 - ATEX/IECEX - GROUP I 5 - TR CU - GROUP II 6 - TR CU - GROUP I
								THREAD
								1 - METRIC 2 - NPT 3 - UNI-6125
								SIZE
								1 - SIZE 1 2 - SIZE 2 3 - SIZE 3 4 - SIZE 5S 5 - SIZE 5 6 - SIZE 6 7 - SIZE 7 8 - SIZE 8
								TYPE
								05 - PSF FREE COUPLING METRIC 06 - PSF FREE COUPLING NPT 19 - PSF AX FREE COUPLING METRIC _ BARRIER TYPE 20 - PSF AX FREE COUPLING NPT _ BARRIER TYPE
								MATERIAL
								01 - BNK BRASS NICKEL CHROME PLATED 03 - STAINLESS STEEL AISI316

PLASTIC CABLE GLANDS

Polyamide

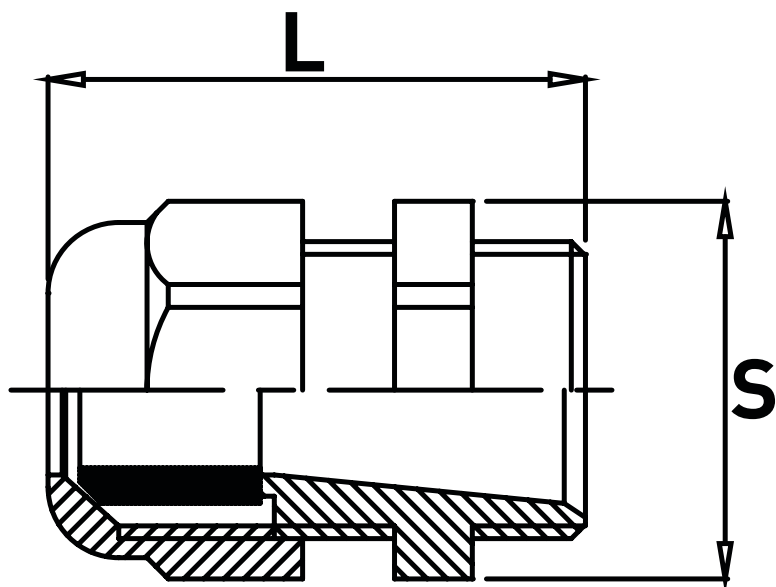


Single seal cable gland suitable for unarmoured
Suitable for Zone 1/2 and Zone 21/22.

TECHNICAL FEATURES

Material	Polyamide
IP rating	IP66/IP68
Ambient temperature range	-20°C to +80°C
Approvals	ATEX: CESI 03 ATEX 305X
Marking	II 2 GD Ex e II/Ex i II Ex tD A21 IP66/68
Gasket	Neoprene
Threads	Metric, PG
Optional accessories	Locknut, Gasket

Dimensions



UN.. polyamide cable glands

TYPE	CODE	THREAD	COLOUR	Ø CABLE (mm)
UNI01XE - POLYAMIDE CABLE GLAND	C011301300001	M16X1,5	BLACK	6 - 10
UNI1XE - POLYAMIDE CABLE GLAND	C011311300001	M20X1,5	BLACK	7 - 12
UNI2XE - POLYAMIDE CABLE GLAND	C011321300001	M25X1,5	BLACK	13 - 18
UNI3XE - POLYAMIDE CABLE GLAND	C011331300001	M32X1,5	BLACK	18 - 25
UNI4XE - POLYAMIDE CABLE GLAND	C011341300001	M40X1,5	BLACK	22 - 32
UNI5XE - POLYAMIDE CABLE GLAND	C011351300001	M50X1,5	BLACK	30 - 38
UNI6XE - POLYAMIDE CABLE GLAND	UPON REQUEST	M63X1,5	BLACK	34 - 44
UNI01XI - POLYAMIDE CABLE GLAND	C011301300002	M16X1,5	BLUE	6 - 10
UNI1XI - POLYAMIDE CABLE GLAND	C011311300002	M20X1,5	BLUE	7 - 12
UNI2XI - POLYAMIDE CABLE GLAND	C011321300002	M25X1,5	BLUE	13 - 18
UNI3XI - POLYAMIDE CABLE GLAND	C011331300002	M32X1,5	BLUE	18 - 25
UNI4XI - POLYAMIDE CABLE GLAND	C011341300002	M40X1,5	BLUE	22 - 32
UNI5XI - POLYAMIDE CABLE GLAND	C011351300002	M50X1,5	BLUE	30 - 38
UNI6XI - POLYAMIDE CABLE GLAND	C011361300001	M63X1,5	BLUE	34 - 44