

EARTHING SYSTEMS

GUMT - Earthing control system - Copper-free aluminium

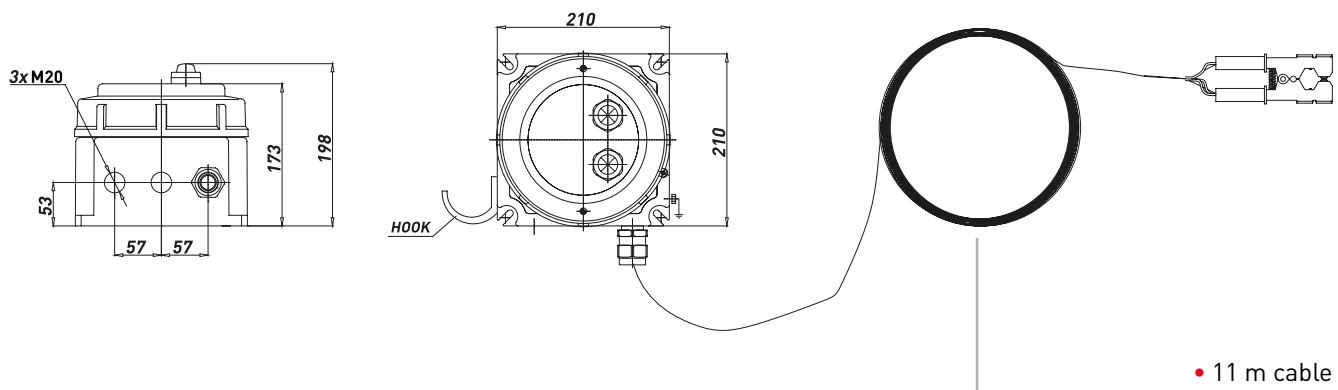


- Control and discharge system for electrostatic charges suitable for road tankers, rail tankers and any movable tanker for dangerous items
- Ready for one/two double circuit clamps PTA ISE0-2
- The system is complete with arrest/consensus optical warning and changeover contact free from output voltage.
- This solution is able to control the discharge of static charges driving it through a dedicated and safe path, safe because Explosion proof.

TECHNICAL FEATURES

Material	Copper-free aluminium
IP rating	IP65/IP66
Ambient temperature range	-20°C to +55°C
Approvals	<u>GUMT</u> ATEX: 00ATEX0033X
Marking	<u>PTA</u> ATEX: CESI 03 ATEX 101 X
	GUMT II 2 GD Ex d IIC T5 Gb Ex tb IIIC T100°C Db IP66
	PTA II 2 GD Ex d IIC T6 Ex tD A21 IP65 T85°C
Surface treatment	Polyurethane painting cycle - Blue colour RAL5014 (other colour available upon request)
Entries	n° 3 entries M20x1,5, one complete with brass nickel chrome plated plug
Rated nominal current (PTA)	6 mA
Rated nominal voltage (PTA)	0,25 V
Changeover contact rating (GUMT)	5 A
Standard certificate label	Made by self adhesive UV and corrosion resistant polyester, approved by certified Laboratory.
Optional accessories	Cable reel Drain/breather valve Internal anticondensate painting Traffolyte/Stainless steel certificate label

Dimensions GUMT



GUMT.. Series - Earthing control system - Copper-free aluminium

TYPE	CODE	VOLTAGE
GUMT-325	B013094010014	110Vac or 220Vac +/-10%
GUMT-325 + 1 CLAMP PTA	B013094010013	110Vac or 220Vac +/-10%
GUMT-325 + 2 CLAMPS PTA	B013094010011	110Vac or 220Vac +/-10%
GUMT-325	UPON REQUEST	24Vdc
GUMT-325 + 1 CLAMP PTA	B013094010012	24Vdc